



saxun[®]

**BOX AWNING
KIARA**

ENG

KIARA

PROTECTION FOR THE FAÇADES OF TOMORROW

Kiara is the new box awning developed by Saxun. A solar protection system with an attractive aesthetic that combines practical and advanced features so it can be installed quickly and easily.

Its 100% metallic structure gives it a colour that is uniform and sophisticated, as there are no plastic elements to compromise its chromatic uniformity.

Kiara allows customers to enjoy pleasant moments during the daytime on every kind of terrace, providing perfect protection from solar radiation.

And these sensations do not stop when the sun goes down, as we offer the potential for LED lighting both in the arms and in the awning itself.

As such, you will be able to enjoy an unforgettable sunset every day in the best of company.



BESPOKE AESTHETIC

This new awning with a **design 100% Saxun** adds distinction to all types of façades.

The wide range of fabrics, designs and colours available provides a total freedom to customers when it comes to design.



INTEGRAL PROTECTION

The variety of different sizes and installations available provides a **protection surface that can be adapted to all needs**.

The properties of the canvas allow customers to fully regulate solar radiation, and also **guarantee impermeability** when it starts to rain.



MAXIMUM DIMENSIONS

There is the potential for an **output of up to 4 meters and lines of up to 6 meters**, with no need to install intermediate supports.



WIND RESISTANCE

Kiara offers maximum performance even in days of moderate winds, being able to withstand forces up to **class 2** for dimensions 6.00x2.75 m.



MAJOR ADVANTAGES FOR THE INSTALLER

Kiara can be registered whether it is closed or open. This is ideal for maintenance work as well as for changing the motor without having to lower the awning. It also allows the user to easily adjust its inclination.

Its simple installation provides significant **time and cost savings** for the installer.



THE PERFECT LIGHTING

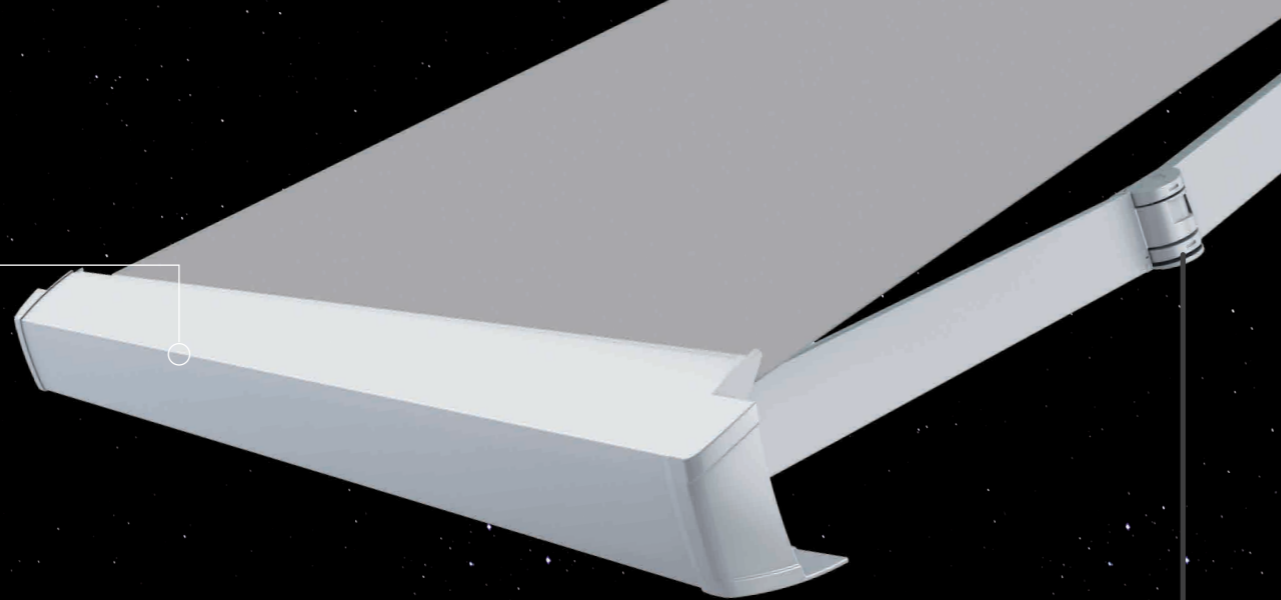
This new product offers the possibility for installing **LED lights in the awning**. This gives the customer the opportunity to create unique environments, **being able to take advantage of the awning during the day and at night**. Lighting can even be added when the awning is closed.

It is also compatible with the new Lumme arm, which integrates LED lighting as well, making it ideal for creating the perfect environment.

AN UNBEATABLE DESIGN...

The oval design is inspired by the most holistic aesthetic styles.

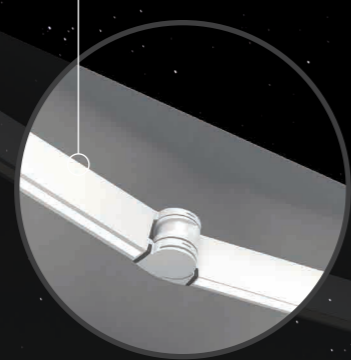
The structure of the awning and the arms means that, when the sun is in a particular position, certain reflections can be generated to produce an aesthetic appearance that is not noticeable to the touch.



...AND THE BEST TECHNICAL PERFORMANCE...

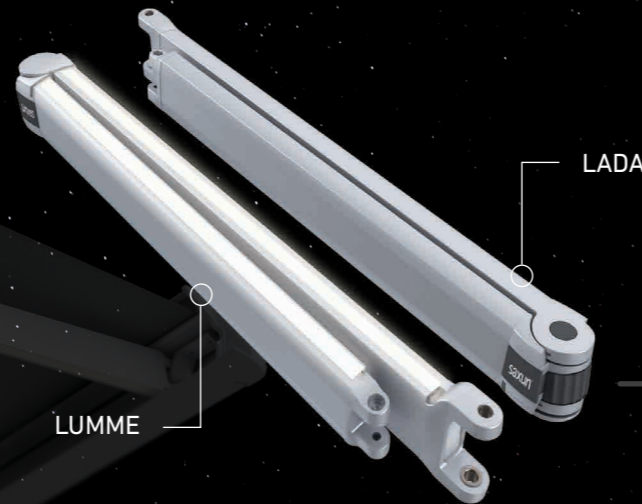
It adapts to every need thanks to the possibility of incorporate different arm opening with the same profiles section.

In addition, the arms are equipped with belts in the elbow articulation in order to provide tension to the arm.



...TO ILLUMINATE SPECIAL MOMENTS

The dimmable LED lighting integrated into the rails produces pleasant lighting so users can create environments to suit their tastes.



SUBTLE STRENGTH

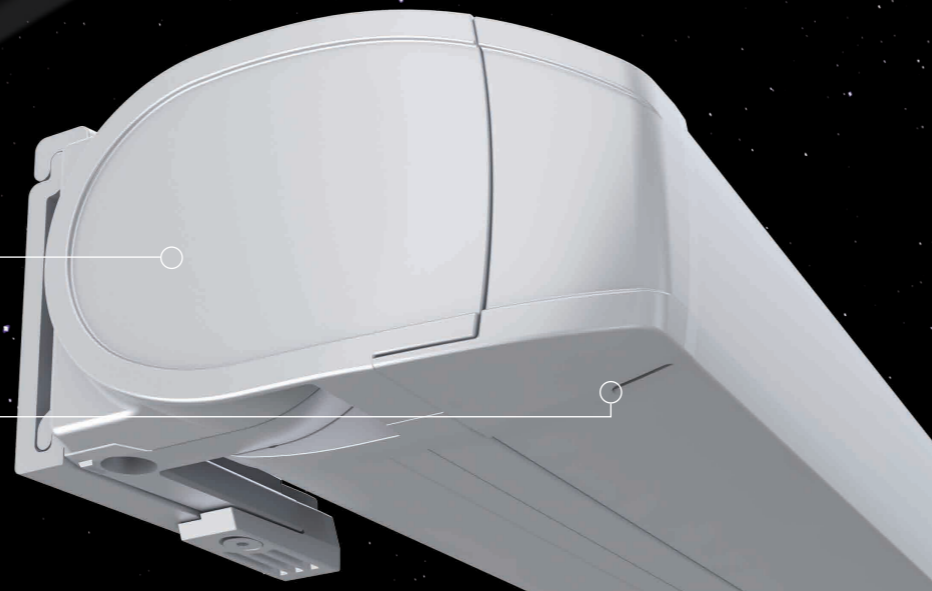
The solidity of the system, made from 100% aluminium, does not compromise its light and aerodynamic appearance.

The covers are joined to the profiles through the use of a bevel, which eliminates any defects in the cut of the profiles.

The opening in the load bar helps to expel any water that has accumulated on rainy days.

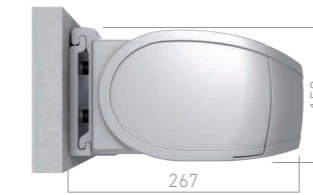


Accumulated rain water

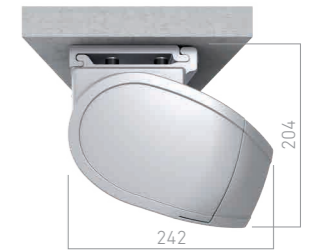


TYPES OF FIXING

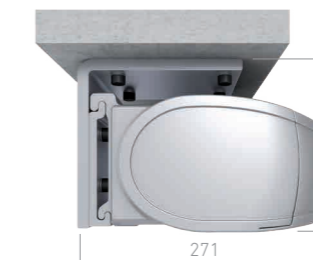
Measurements in mm.



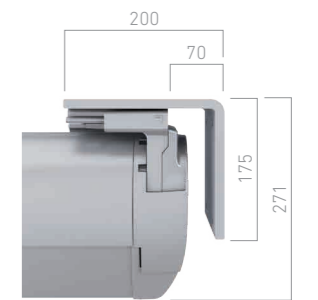
Wall



Ceiling

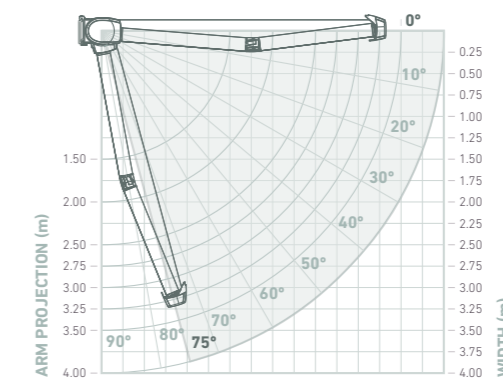


Ceiling with square



Wall to wall

DEGREES OF INCLINATION



FRONT
0° to 75°

ROOF WITH PANEL
17° to 75°

ROOF WITH BRACKET
0° to 75°

WALL TO WALL
0° to 75°

INSTALLATION



SYSTEM



